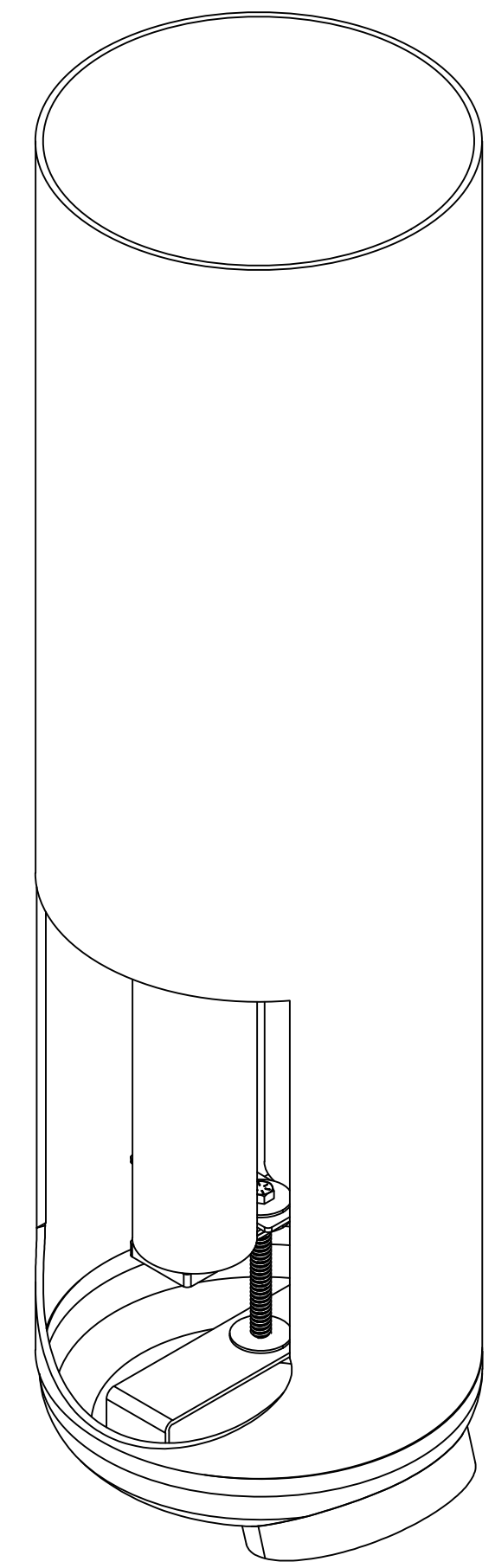
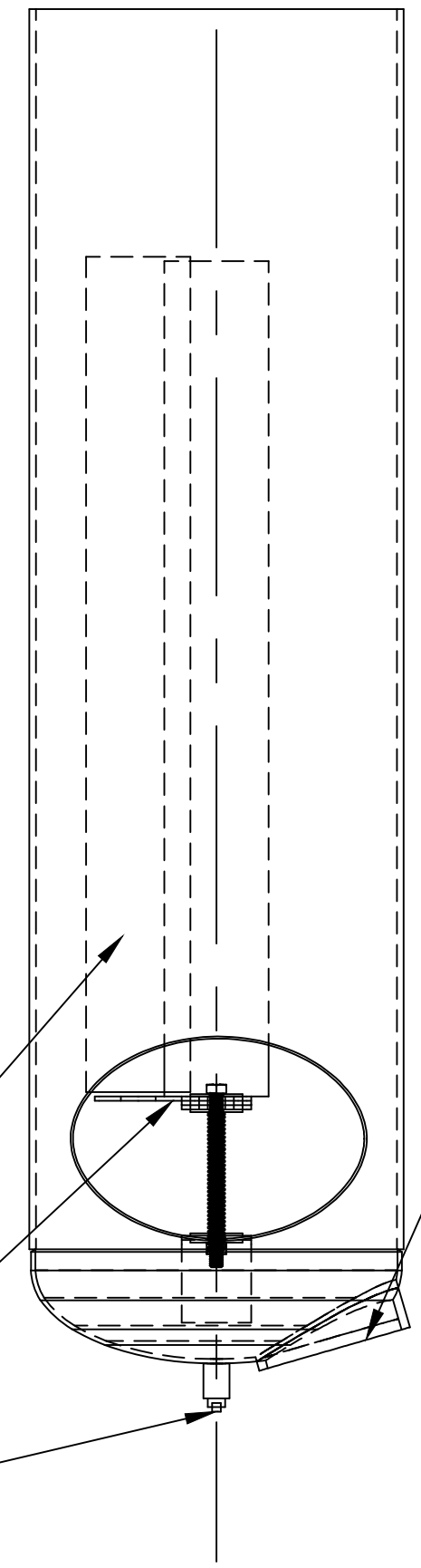
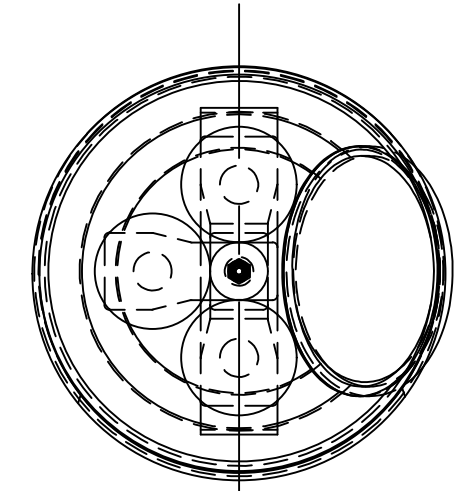
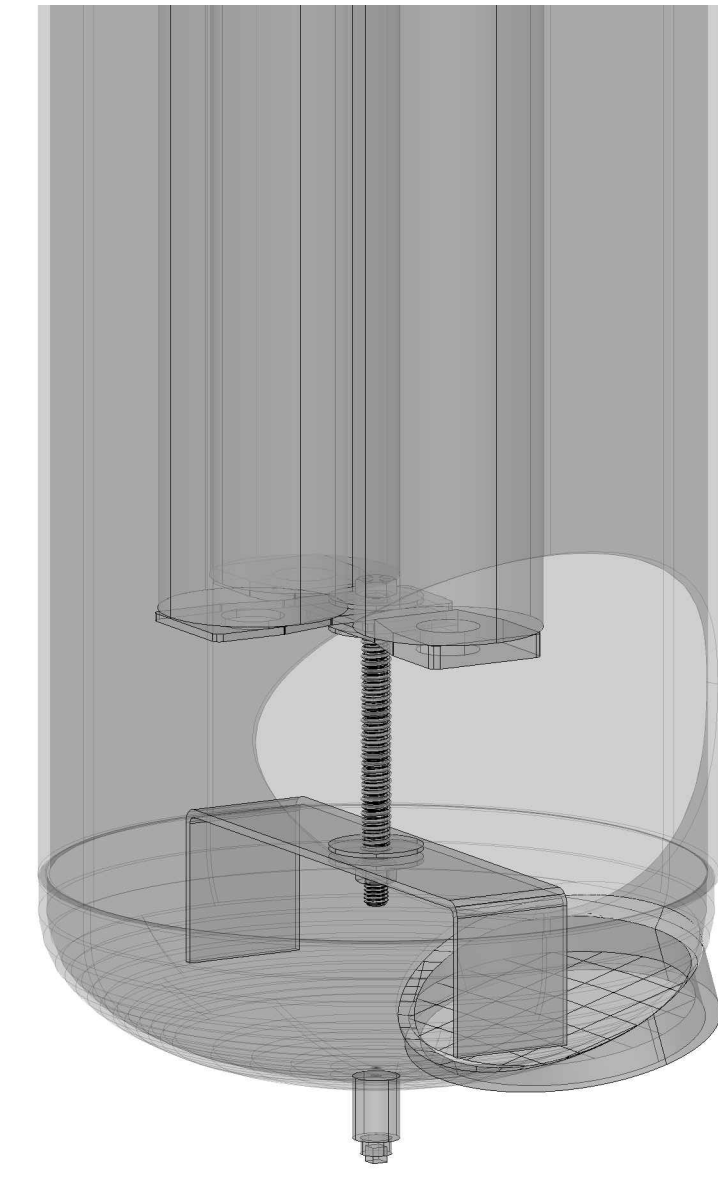
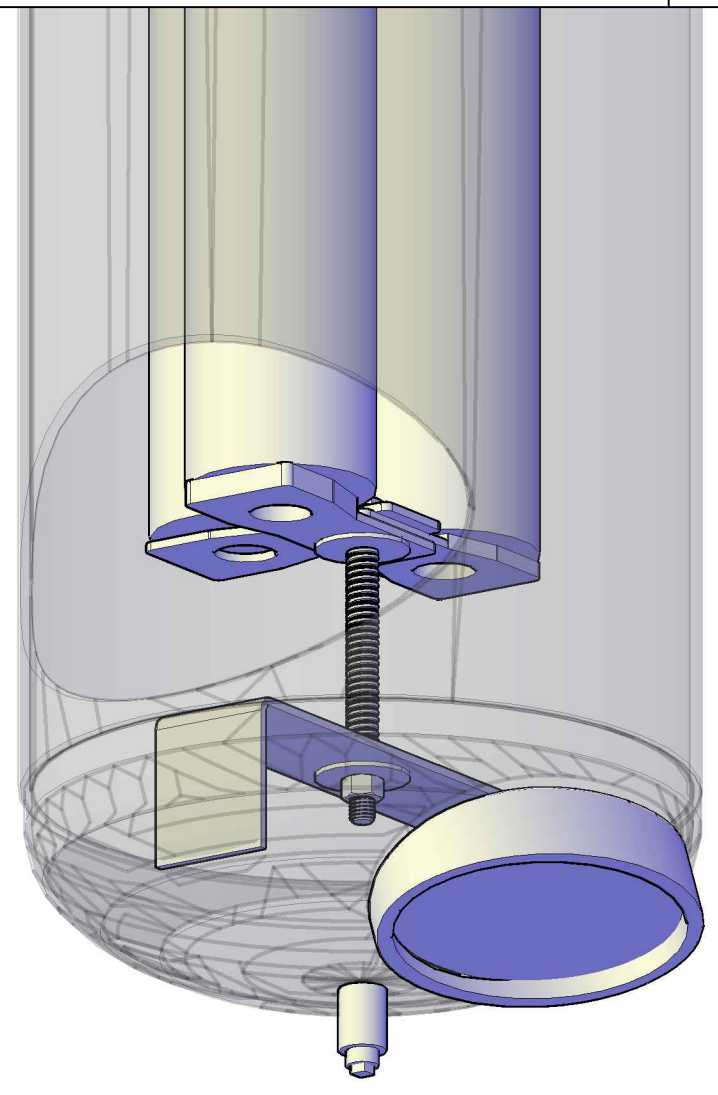


022-1600-LP\_MFLR\_2.0.dwg

02.06.2020

garci

REVISIONS				
ZONE	REV	DESCRIPTION	DATE	APPROVED



ELEMENT FILTER

FILTER SUPPORT

DRAIN

4X6 HANDWAY

FILE NAME 022-1600-LP_MFLR_2.0.dwg		1600 LP W/ MFLR		
CONTRACT NO ####		-		
DRAWN 2/8/18		-		
CHECK		-		
APPR.		-		
ISSUED 1/28/20		-		
SIZE	FSCM NO	DWG NO	REV	
-	-	022-1600	-	
SCALE 1:1		WEIGHT	SHEET ONE	